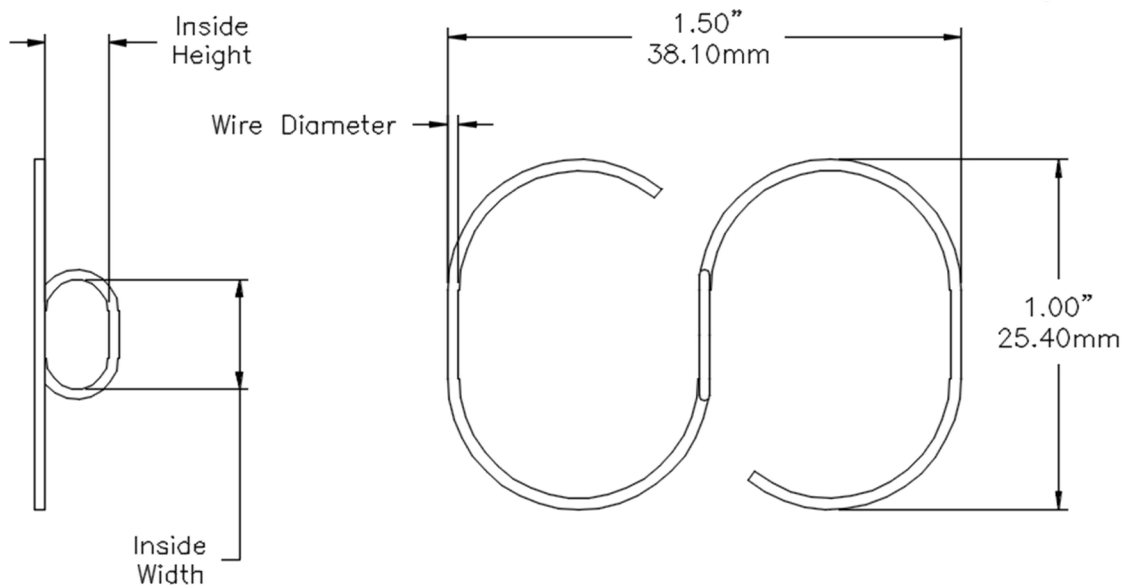


# CAPWHT-TR\_ Series Specification Sheet Time Release Tablet Style



	P/N CAPWHT-TR		P/N CAPWHT-TR1		P/N CAPWHT-TR2		P/N CAPWHT-TR3	
<b>Material</b>	316 Stainless Steel		316 Stainless Steel		316 Stainless Steel		316 Stainless Steel	
<b>Finish</b>	Electropolished		Electropolished		Electropolished		Electropolished	
<b>Opening Height</b>	0.211"	5.40mm	0.305"	7.75mm	0.194"	4.93mm	0.263"	6.68mm
<b>Opening Width</b>	0.375"	9.50mm	0.375"	9.50mm	0.280"	7.11mm	0.390"	9.91mm
<b>Wire Diameter</b>	0.030"	0.76mm	0.043"	1.09mm	0.030"	0.76mm	0.030"	0.76mm
<b>Sinker Weight</b>	.55 Grams		1.25 Grams		.60 Grams		.60 Grams	

QLA Capsule Sinkers come in a wide range of sizes to fit all Dissolution applications, contact your QLA Sales Representative or visit our website at [www.qla-llc.com](http://www.qla-llc.com) to view our current sinker product line.